

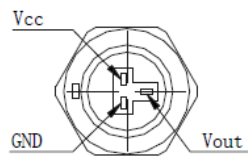
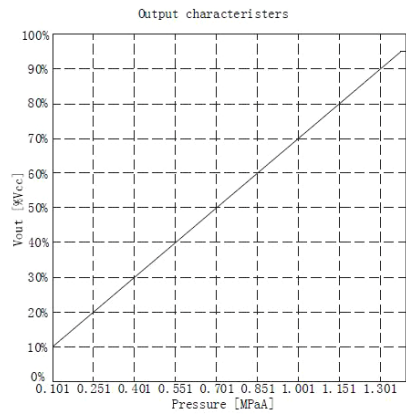
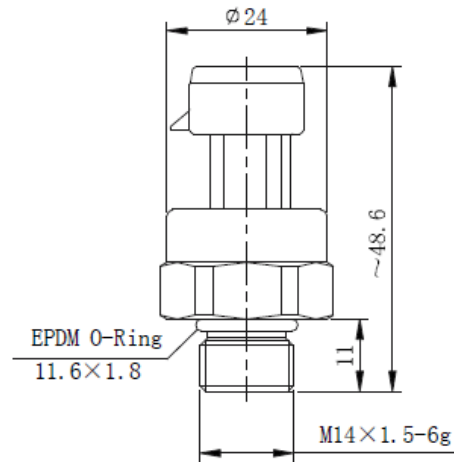
Ceramic Piezo-Resistive Thick Film Pressure Transducer

EST31378 Pressure Transducer

Application: Ceramic resistance sensor | Ratio voltage output | Over-voltage protected | Reverse voltage protected | Short circuit protected | Pressure transmitter for Ammonia

Specification			
Pressure Range	0.101~1.301MPaA		
Output Voltage (Vout)	10%~90%Vcc		
Accuracy	± 1%F.S		
Operating Temp.	-40~85℃		
Save Temperature	-40~120℃		
Proof Pressure	2X		
Burst Pressure	3X		
Response Time	10ms		
Supply Voltage (Vcc)	4.75~5.25Vdc		
Supply Current	≤8mA		
Output load Resistance	≥10KΩ		
Output Load Capacitance	≤1000pF		
Overvoltage Protection	16Vdc		
Reverse Voltage	-16Vdc		
Short Circuit Protected	Yes		
Insulate Resistance	≥100MΩ @50Vdc		
Ingress Protection	IP65		
Vibration	Frequency (Hz)	10~25	25~500
	Swing (mm)	1.2	
	Acceleration (m/s/s)		30
	Scan Freq. (oct/min)		1
	Time/Axis (h)		48

Dimension & Connection



Dimensions tolerance not specified is IT16.

