

# EST3120S Pressure Transmitter

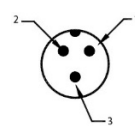
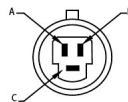
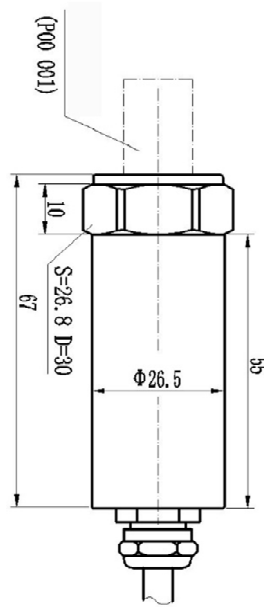
## (Customizaiton Avaliable)

### EST3120S-A | Silicone Piezo-resistance

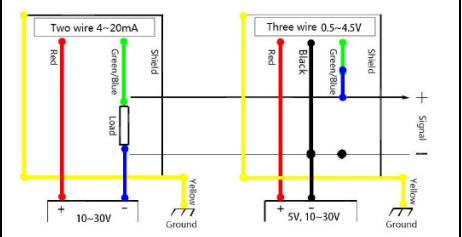
**Application:** Compressor | Air conditioning unit | Over-voltage protected | Reverse voltage protected | OBD function | Short circuit protected | Low pressure measurement | Price sensitive industrial applications | Air measurement and control

Specification	
Pressure Type	Gauge
Pressure Range	0-4bar
Output Voltage	4-20mA
Accuracy	±0.5%F.S
Operating Temp.	-20~80°C
Compensated Temp.	@25°C ±35°C
Accuracy in Compensated Temp. Range	±0.5%F.S
Temperature Drift @Zero	±0.03%F.S
Stability	±0.1%F.S/Y
Over Pressure	≤2 times
Supply Voltage	18-30Vdc
Electrical Connection	Thread 11mm
Process Connection	G1/4-Female
Housing Material	SS316
Diaphragm Material	SS304
Insulation Resistance	> 100M ohm@500VDC
Hi-Pot Test	500Vac,50Hz
Output load Resistance	Current: ≤(u-12)/0.02
Insulate Resistance	≥20MΩ @100VdcΩ
Overvoltage Protection	Yes
Short Circuit Protected	Yes
Ingress Protection	IP56
Vibration	10g,5~2000HZ
Shock	X/Y/Z, 20, sine 11ms

### Dimension & Connection



Electrical connection						
Cable	Two	Cable	Three	Hirschman	12M-	Packard
Red	Power	Red	Power	1	1	B
Blue/Green	Output	Blue/Green	Output	2	2	C
		Black	GND	3	3	A
Black	Shield	Yellow	Shield	≡		
Signal output						
4-20mA						

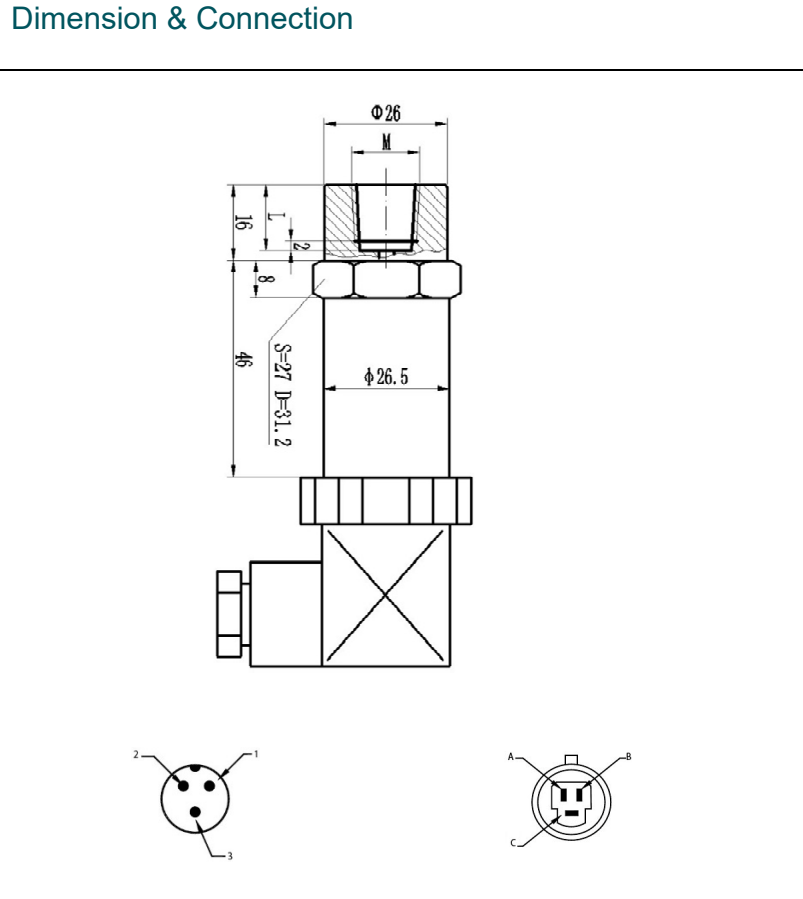


Only use the pressure sensor to test the medium which have no corrosion to its housing and seal material.  
 Cannot use sharp tools to clean the pressure hole when the hole of the pressure sensor is blocked. The pressure sensor shall be removed from system and put the pressure hole part into the fluid which can dissolve the blocking substance.

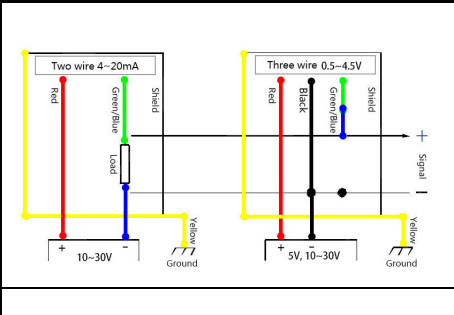
## EST3120S-B | Silicone Piezo-resistance

**Application:** Compressor | Air conditioning unit | Over-voltage protected | Reverse voltage protected | OBD function | Short circuit protected | Low pressure measurement | Price sensitive industrial applications | Air measurement and control

Specification	
Pressure Type	Gauge
Pressure Range	0-200psi
Output Voltage	4-20mA
Accuracy	±0.5%F.S
Operating Temp.	-20~80°C
Compensated Temp.	@25°C ±35°C
Accuracy in Compensated Temp. Range	±0.5%F.S
Temperature Drift @Zero	±0.03%F.S
Stability	±0.1%F.S/Y
Over Pressure	≤2 times
Supply Voltage	18-30Vdc
Electrical Connection	Thread 15mm
Process Connection	NPT1/4-Female
Housing Material	SS316
Diaphragm Material	SS304
Insulation Resistance	> 100M ohm@500VDC
Hi-Pot Test	500Vac,50Hz
Output load Resistance	Current: $\leq (u-12)/0.02$
Insulate Resistance	$\geq 20M \Omega @100Vdc \Omega$
Overvoltage Protection	Yes
Short Circuit Protected	Yes
Ingress Protection	IP56
Vibration	10g,5~2000HZ
Shock	X/Y/Z, 20, sine 11ms



Electrical connection						
Cable	Two	Cable	Three	Hirschman	12M-	Packard
Red	Power	Red	Power	1	1	B
Blue/Green	Output	Blue/Green	Output	2	2	C
		Black	GND	3	3	A
Black	Shield	Yellow	Shield	≡		
Signal output						
4-20mA						



*Only use the pressure sensor to test the medium which have no corrosion to its housing and seal material. Cannot use sharp tools to clean the pressure hole when the hole of the pressure sensor is blocked. The pressure sensor shall be removed from system and put the pressure hole part into the fluid which can dissolve the blocking substance.*

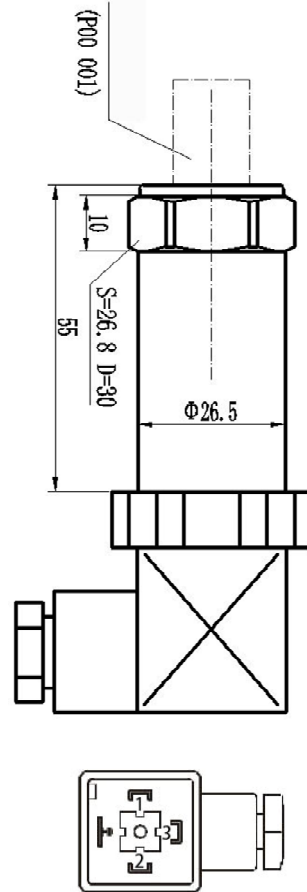
## EST3120S-C | Silicone Piezo-resistance

**Application:** Compressor | Air conditioning unit | Over-voltage protected | Reverse voltage protected | OBD function | Short circuit protected | Low pressure measurement | Price sensitive industrial applications | Air measurement and control

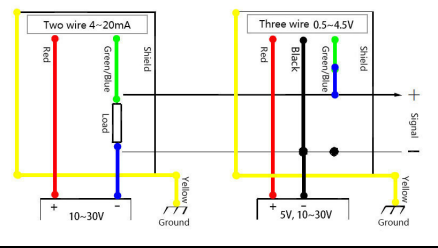
### Specification

Pressure Type	Gauge
Pressure Range	0-160psi
Output Voltage	4-20mA
Accuracy	±0.25%F.S
Operating Temp.	-20~80°C
Compensated Temp.	@25°C ± 15°C
Accuracy in Compensated Temp. Range	±0.25%F.S
Temperature Drift @Zero	±0.05%F.S
Stability	±0.1%F.S/Y
Over Pressure	≤2 times
Supply Voltage	18-30Vdc
Electrical Connection	DIN43650 100mm Cable
Process Connection	G1/2-Male
Housing Material	SS316
Diaphragm Material	SS304
Insulation Resistance	> 100M ohm@500VDC
Hi-Pot Test	500Vac,50Hz
Output load Resistance	Current: ≤(u-12)/0.02
Insulate Resistance	≥20M Ω @100Vdc Ω
Overvoltage Protection	Yes
Short Circuit Protected	Yes
Ingress Protection	IP65
Vibration	10g,5~2000HZ
Shock	X/Y/Z, 20, sine 11ms

### Dimension & Connection



Electrical connection						
Cable	Two	Cable	Three	Hirschman	12M-	Packard
Red	Power	Red	Power	1	1	B
Blue/Green	Output	Blue/Green	Output	2	2	C
		Black	GND	3	3	A
Black	Shield	Yellow	Shield	≡		
Signal output						
4-20mA						

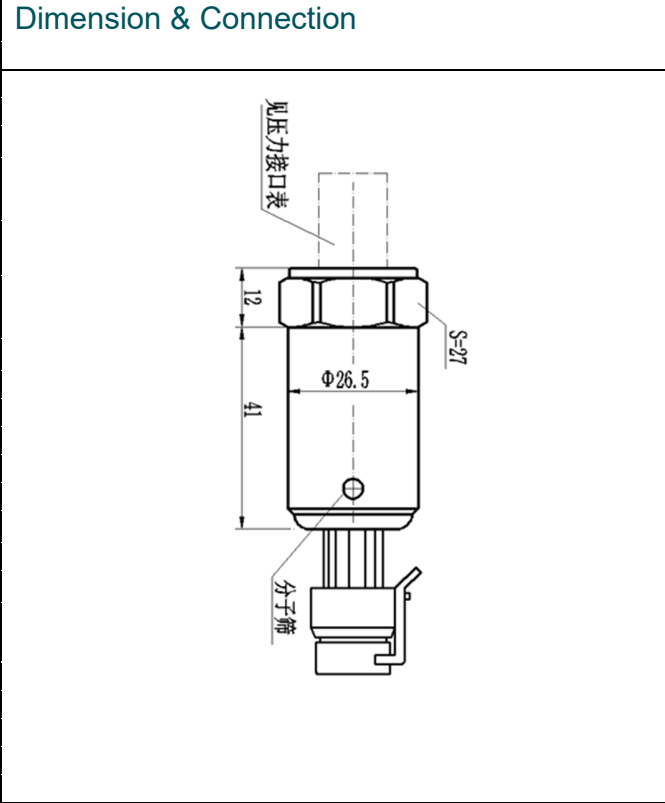


Only use the pressure sensor to test the medium which have no corrosion to its housing and seal material.  
 Cannot use sharp tools to clean the pressure hole when the hole of the pressure sensor is blocked. The pressure sensor shall be removed from system and put the pressure hole part into the fluid which can dissolve the blocking substance.

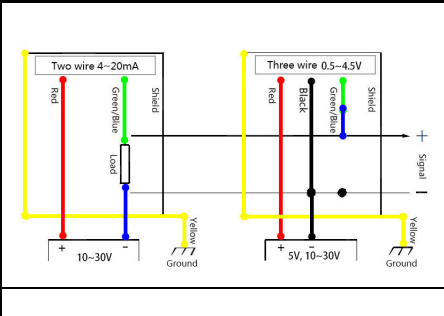
## EST3120S-I2C | Silicone Piezo-resistance Digital Output

**Application:** Compressor | Air conditioning unit | Over-voltage protected | Reverse voltage protected | OBD function | Short circuit protected | Low pressure measurement | Price sensitive industrial applications | Air measurement and control

Specification	
Pressure Type	Gauge   Absolute
Pressure Range	-1bar~25bar
Output Voltage	I2C
Accuracy	±0.5%F.S
Operating Temp.	-40~80℃
Compensated Temp.	0-50℃
Accuracy in Compensated Temp. Range	±0.5%F.S
Temperature Drift @Zero	±0.05%F.S
Stability	±0.2%F.S/Y
Over Pressure	≤2 times
Supply Voltage	8-30Vdc
Electrical Connection	Packard
Process Connection	3/8" BSPT
Housing Material	SS304
Diaphragm Material	SS316
Insulation Resistance	> 100M ohm@500VDC
Hi-Pot Test	500Vac,50Hz
Output load Resistance	Current: ≤(u-12)/0.02
Insulate Resistance	≥20M Ω @100Vdc Ω
Overvoltage Protection	Yes
Short Circuit Protected	Yes
Ingress Protection	IP65
Vibration	10g,5~2000HZ
Shock	X/Y/Z, 20, sine 11ms



Electrical connection						
Cable	Two	Cable	Three	Hirschman	12M-	Packard
Red	Power	Red	Power	1	1	B
Blue/Green	Output	Blue/Green	Output	2	2	C
Black	Shield	Black	GND	3	3	A
Black	Shield	Yellow	Shield	≡		
Signal output						
I2C						



Only use the pressure sensor to test the medium which have no corrosion to its housing and seal material.  
 Cannot use sharp tools to clean the pressure hole when the hole of the pressure sensor is blocked. The pressure sensor shall be removed from system and put the pressure hole part into the fluid which can dissolve the blocking substance.